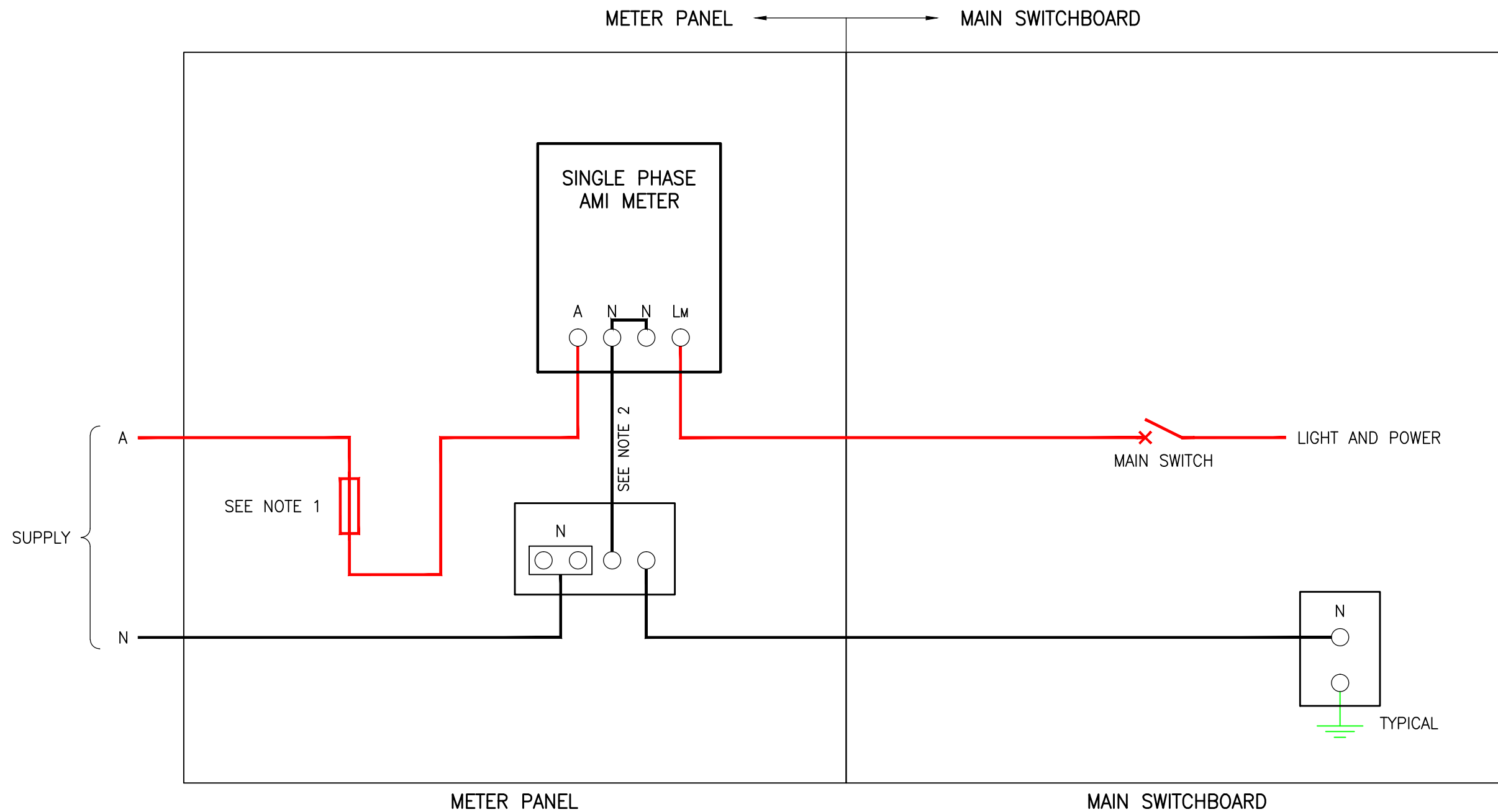


# WIRING DIAGRAM 1 PHASE SUPPLY USING SINGLE PHASE AMI METER



- NOTES:
- METER PANEL FUSES ARE NOT REQUIRED FOR AN OVERHEAD SUPPLY.
  - METERING NEUTRAL TO BE BLACK 4mm<sup>2</sup> OR 6mm<sup>2</sup> STRANDED CABLE.

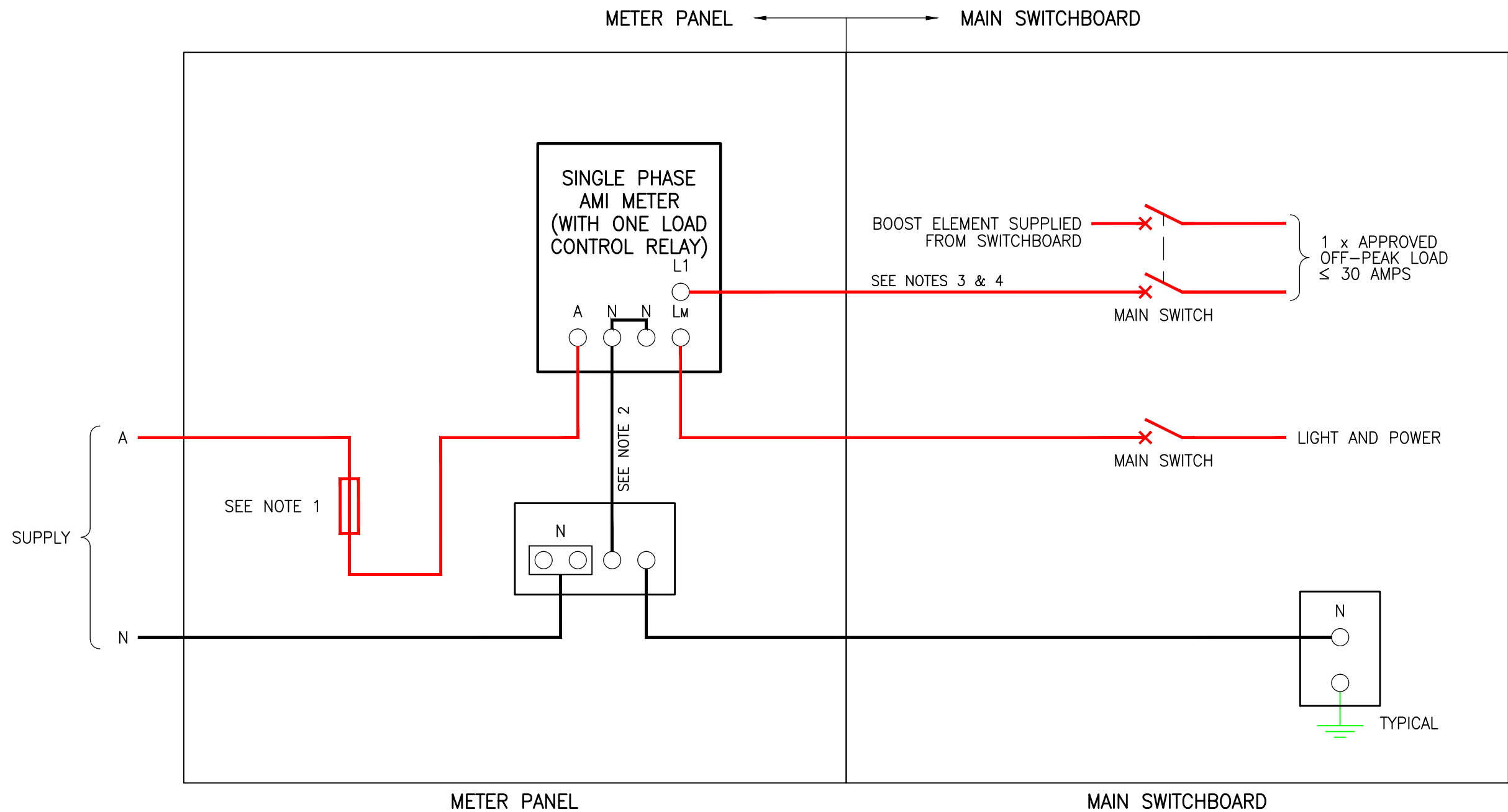
METERING DIAGRAM – AUSNET SERVICES  
ONE CUSTOMER SINGLE PHASE

DIRECT CONNECTED METERING

REFERENCE DRAWINGS								<b>AUSNET SERVICES AMI METERING 1 CUSTOMER SINGLE PHASE SINGLE PHASE METERING WIRING DIAGRAM</b>
DRAWING TITLE	DRAWING No.	DATE	REV	DESCRIPTION	BY	CONTRACTOR	ISSUED	SPEC No.    ORDER No.    AusNet services No. CONTRACTORS No.
		13.7.15	B	REVISED NOTES AND SYMBOLS.	JYL	AusNet	11-11-2015	EVX14/30000/6/1
		6.8.12	A	FIRST ISSUE	JGT	SPA	11/11/2015	B

283 X 400mm

# WIRING DIAGRAM 1 PHASE SUPPLY WITH LOAD CONTROL USING SINGLE PHASE AMI METER



- NOTES:
1. METER PANEL FUSES ARE NOT REQUIRED FOR AN OVERHEAD SUPPLY.
  2. METERING NEUTRAL TO BE BLACK 4mm<sup>2</sup> OR 6mm<sup>2</sup> STRANDED CABLE.
  3. CONNECTION TO L1 METER TERMINAL SHALL BE BY 1 x 4mm<sup>2</sup> OR 1 x 6mm<sup>2</sup> STRANDED CABLE.
  4. FOR REMOTE MAIN SWITCHBOARD, REFER TO WIRING RULES FOR CABLE LIMITATIONS.

METERING DIAGRAM – AUSNET SERVICES  
ONE CUSTOMER SINGLE PHASE WITH 1 APPROVED OFF-PEAK LOAD

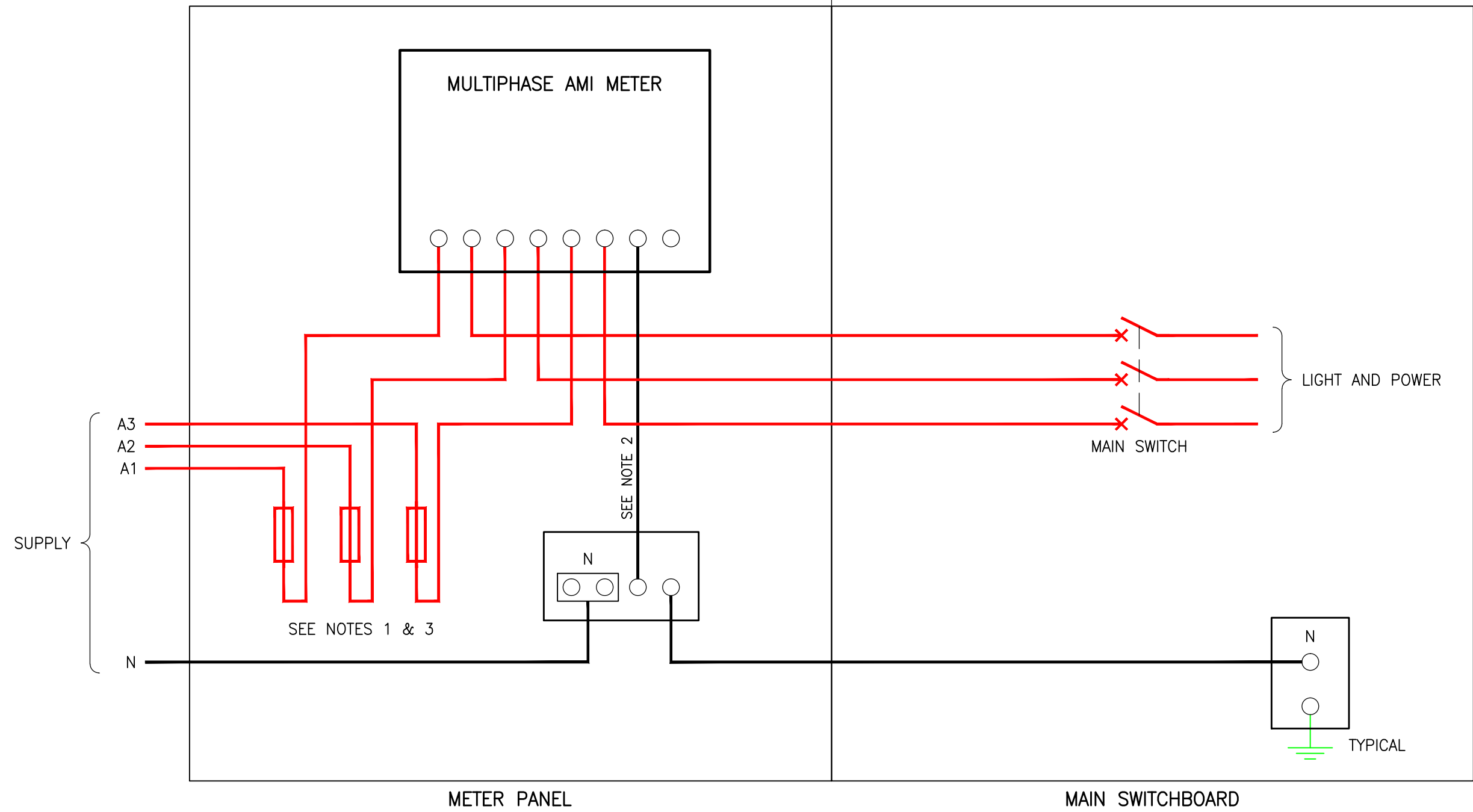
DIRECT CONNECTED METERING

REFERENCE DRAWINGS								 <b>AUSNET SERVICES AMI METERING</b> <b>1 CUSTOMER SINGLE PHASE</b> <b>WITH 1 APPROVED OFF-PEAK LOAD</b> <b>SINGLE PHASE METERING WIRING DIAGRAM</b>			
DRAWING TITLE	DRAWING No.	DATE	REV	DESCRIPTION	BY	CONTRACTOR	ISSUED	SPECS No.	ORDER No.	AusNet services No.	CONTRACTORS No.
		13.7.15	B	REVISED NOTES AND SYMBOLS.	JYL	AusNet	11-11-2015				
		6.8.12	A	FIRST ISSUE	JGT	SPA	11/11/2015				
											EVX14/30000/6/2

283 X 400mm

# WIRING DIAGRAM MULTIPHASE SUPPLY USING MULTIPHASE AMI METER

METER PANEL ← → MAIN SWITCHBOARD



- NOTES:
1. METER PANEL FUSES ARE NOT REQUIRED FOR AN OVERHEAD SUPPLY.
  2. METERING NEUTRAL TO BE BLACK 4mm<sup>2</sup> OR 6mm<sup>2</sup> STRANDED CABLE.
  3. FOR TWO PHASE SUPPLY, OMIT CENTRE PHASE.

MULTIPHASE METERING DIAGRAM – AUSNET SERVICES  
ONE CUSTOMER WITH NO OFF-PEAK LOAD

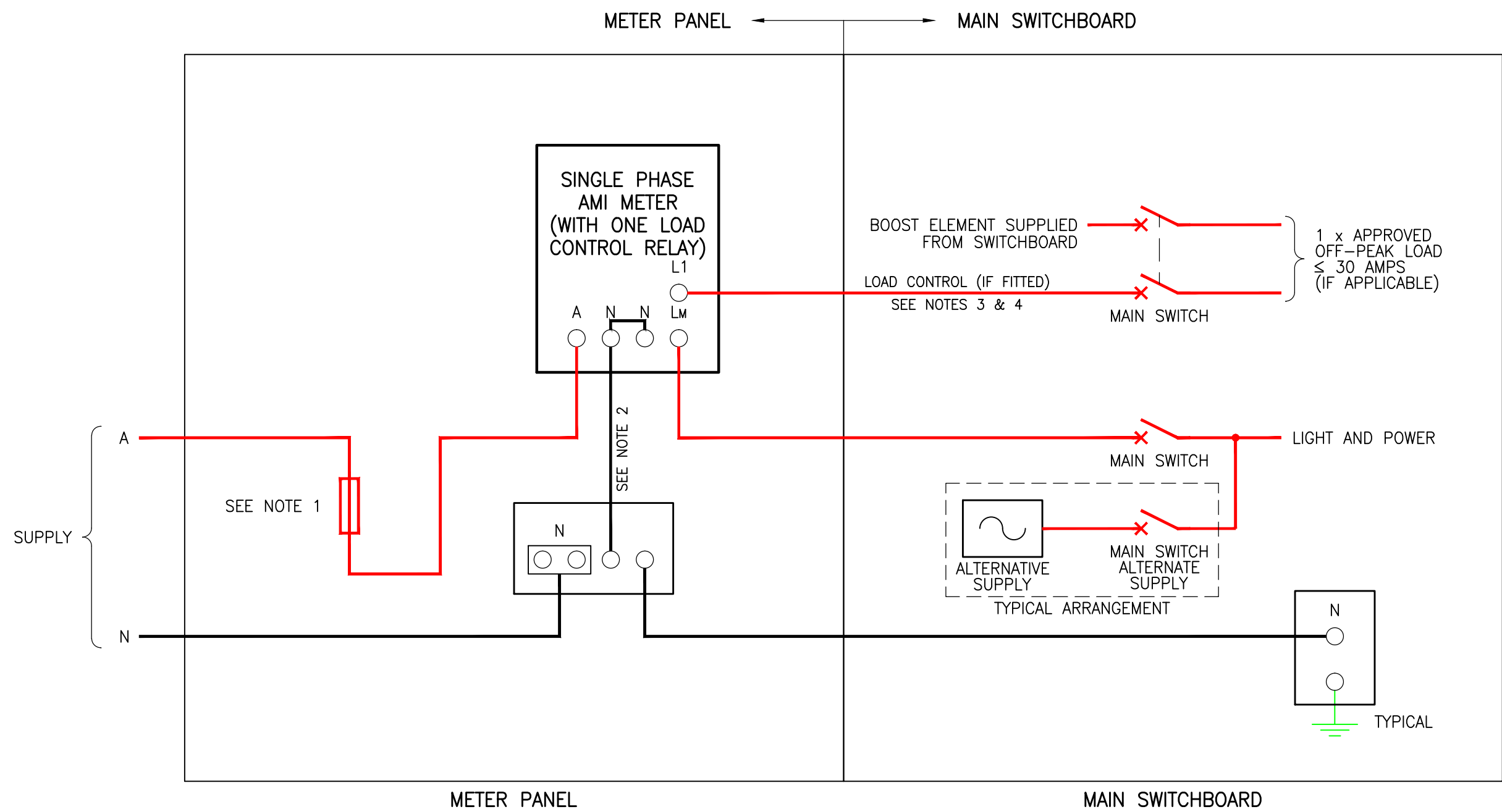
DIRECT CONNECTED METERING

REFERENCE DRAWINGS								AUSNET SERVICES AMI METERING 1 CUSTOMER WITH NO OFF-PEAK LOAD MULTIPHASE METERING WIRING DIAGRAM			
	DRAWING TITLE	DRAWING No.	DATE	REV	DESCRIPTION	BY	CONTRACTOR		ISSUED	CONTRACTORS No	AusNet services No

283 X 400mm



# WIRING DIAGRAM 1 PHASE ALTERNATE SUPPLY NET CONVERSION USING AMI METER (WITH OR WITHOUT LOAD CONTROL)



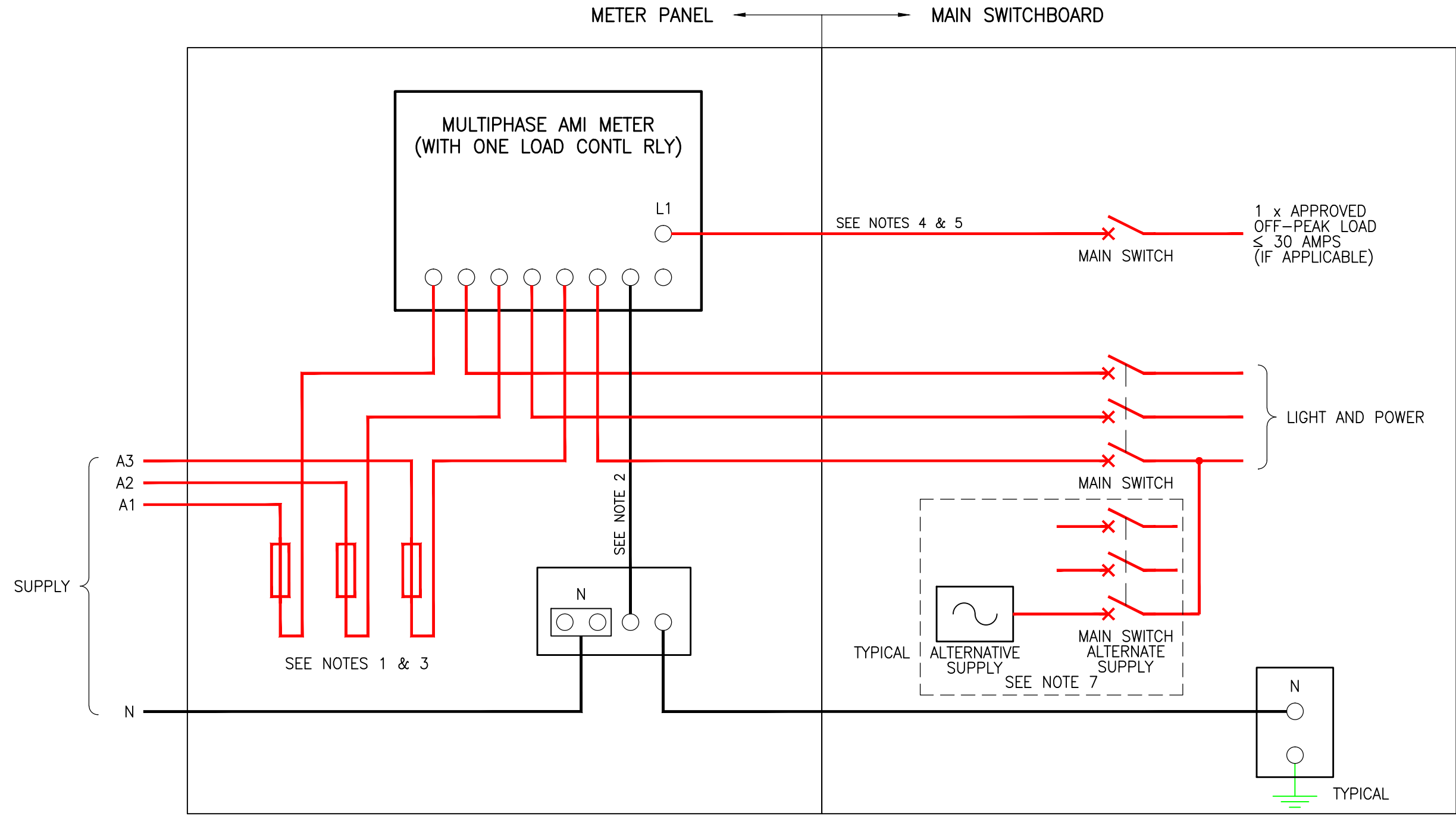
- NOTES:
1. METER PANEL FUSES ARE NOT REQUIRED FOR AN OVERHEAD SUPPLY.
  2. METERING NEUTRAL TO BE BLACK 4mm<sup>2</sup> OR 6mm<sup>2</sup> STRANDED CABLE.
  3. CONNECTION TO L1 METER TERMINAL SHALL BE BY 1 x 4mm<sup>2</sup> OR 1 x 6mm<sup>2</sup> STRANDED CABLE.
  4. FOR REMOTE MAIN SWITCHBOARD, REFER TO WIRING RULES FOR CABLE LIMITATIONS.

METERING DIAGRAM – AUSNET SERVICES ALTERNATIVE SUPPLY NET CONVERSION  
ONE EXISTING CUSTOMER SINGLE PHASE WITH OR WITHOUT 1 APPROVED OFF-PEAK LOAD DIRECT CONNECTED METERING

REFERENCE DRAWINGS								AUSNET SERVICES AMI METERING ALTERNATIVE SUPPLY NET CONVERSION 1 CUST WITH/WITHOUT 1 OFF-PEAK LOAD CONTROL SINGLE PHASE METERING WIRING DIAGRAM
	DRAWING TITLE	DRAWING No.	DATE	REV	DESCRIPTION	BY	CONTRACTOR	
							ENDORSED G.DAVIDSON ENDORSED DATE 11-11-2015 ISSUED 11/11/2015	
							SPEC No. ORDER No. AusNet services No. CONTRACTORS No.	
							EVX14/30000/6/5 B	

283 X 400mm

# WIRING DIAGRAM MULTIPHASE ALTERNATE SUPPLY NET CONVERSION USING MULTIPHASE AMI METER (WITH OR WITHOUT SINGLE LOAD CONTROL)



**NOTES:**

1. METER PANEL FUSES ARE NOT REQUIRED FOR AN OVERHEAD SUPPLY.
2. METERING NEUTRAL TO BE BLACK 4mm<sup>2</sup> OR 6mm<sup>2</sup> STRANDED CABLE.
3. FOR TWO PHASE SUPPLY, OMIT CENTRE PHASE.
4. CONNECTION TO L1 METER TERMINAL SHALL BE BY 1 x 4mm<sup>2</sup> OR 1 x 6mm<sup>2</sup> STRANDED CABLE.
5. FOR REMOTE MAIN SWITCHBOARD, REFER TO WIRING RULES FOR CABLE LIMITATIONS.
6. REFER TO THE WIRING RULES FOR LABELING OF SWITCH AND CONNECTION ARRANGEMENTS.
7. SINGLE PHASE ARRANGEMENT SHOWN. TO BE IN ACCORDANCE WITH AUSNET SERVICES' MINIMUM SYSTEM TECHNICAL REQUIREMENTS. REFER TO AUSNET SERVICES' WEBSITE.

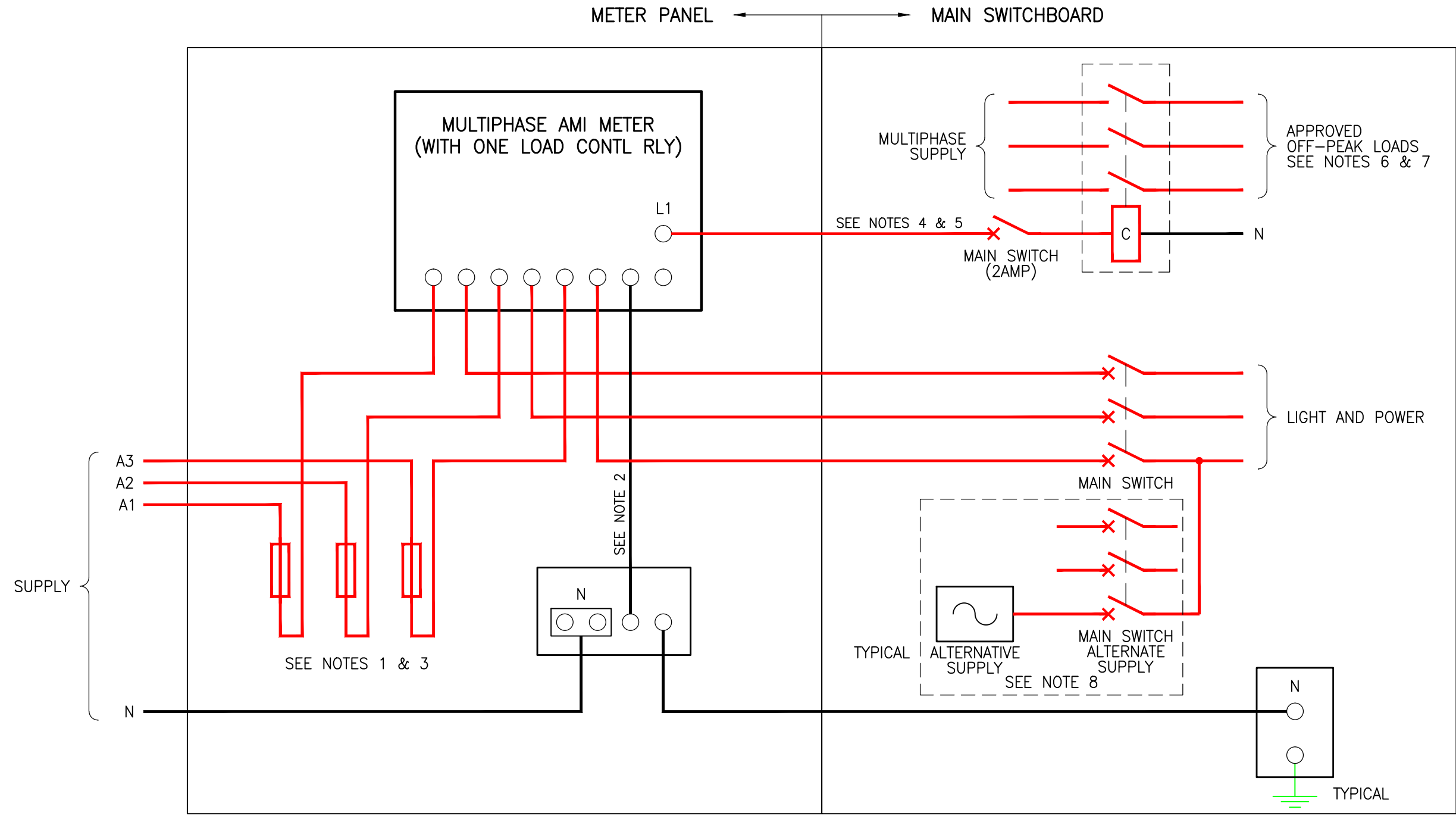
MULTIPHASE METERING DIAGRAM – AUSNET SERVICES ALTERNATIVE SUPPLY NET CONVERSION  
ONE EXISTING CUSTOMER WITH OR WITHOUT SINGLE APPROVED OFF-PEAK LOAD CONTROL

DIRECT CONNECTED METERING

REFERENCE DRAWINGS								AUSNET SERVICES AMI METERING ALTERNATIVE SUPPLY NET CONVERSION 1 CUST WITH/WITHOUT 1 OFF-PEAK LOAD CONTROL MULTIPHASE METERING WIRING DIAGRAM
	DRAWING TITLE	DRAWING No.	DATE	REV	DESCRIPTION	BY	CONTRACTOR	
			REVISION					SPEC No.    ORDER No.    AusNet services No. CONTRACTORS No. <b>EVX14/30000/6/6</b> B

283 X 400 mm

# WIRING DIAGRAM MULTIPHASE ALTERNATIVE SUPPLY NET CONVERSION USING MULTIPHASE AMI METER TO CONTROL MULTIPLE OFF PEAK LOADS



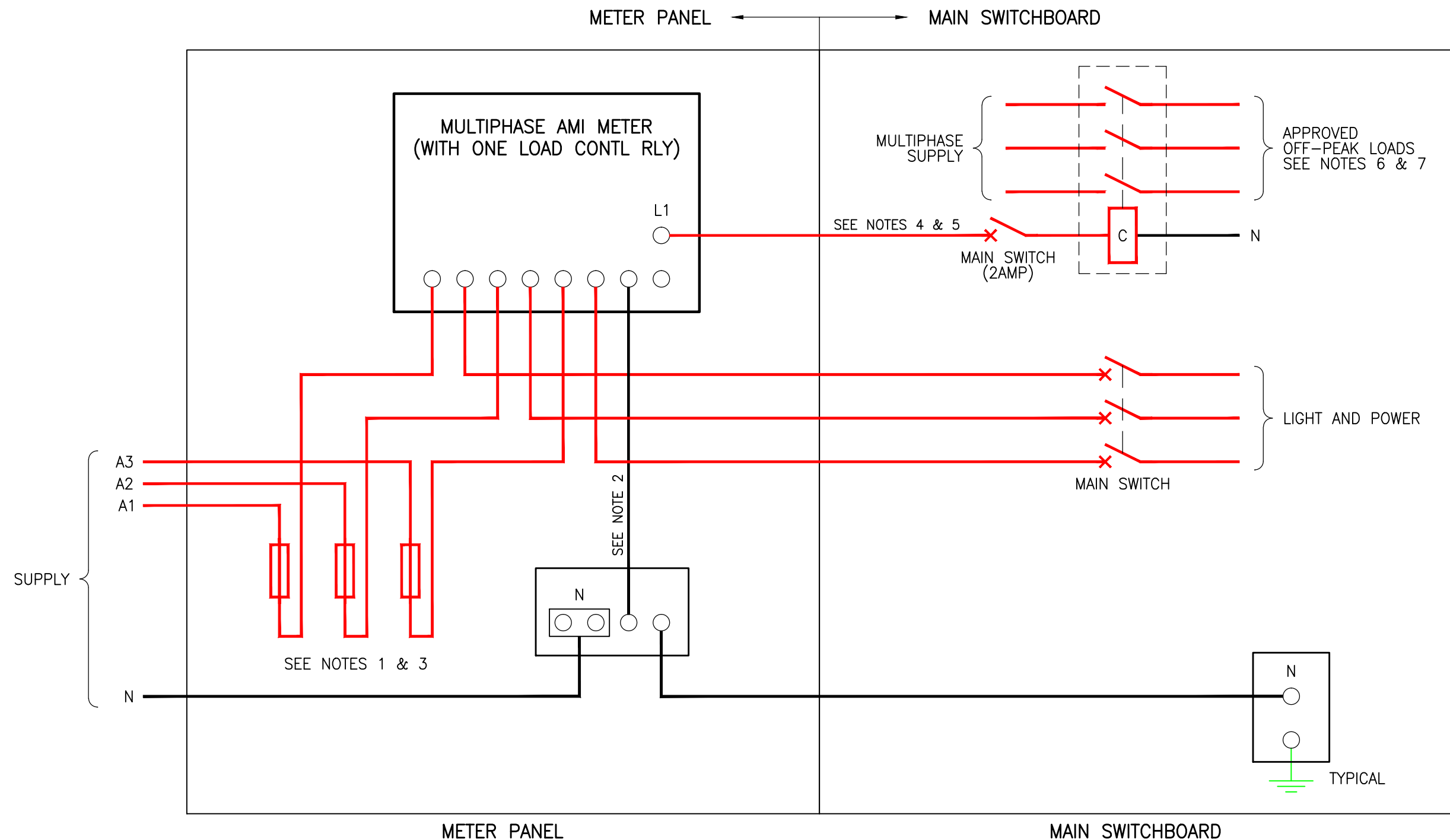
- NOTES:**
1. METER PANEL FUSES ARE NOT REQUIRED FOR AN OVERHEAD SUPPLY.
  2. METERING NEUTRAL TO BE BLACK 4mm<sup>2</sup> OR 6mm<sup>2</sup> STRANDED CABLE.
  3. FOR TWO PHASE SUPPLY, OMIT CENTRE PHASE.
  4. CONNECTION TO L1 METER TERMINAL SHALL BE BY 1 x 4mm<sup>2</sup> OR 1 x 6mm<sup>2</sup> STRANDED CABLE.
  5. FOR REMOTE MAIN SWITCHBOARD, REFER TO WIRING RULES FOR CABLE LIMITATIONS.
  6. CONTROLLED OFF PEAK LOAD MUST BE BALANCED ACROSS THE AVAILABLE METERED PHASES.
  7. REFER TO THE WIRING RULES FOR LABELING OF SWITCH AND CONNECTION ARRANGEMENTS.
  8. SINGLE PHASE ARRANGEMENT SHOWN. TO BE IN ACCORDANCE WITH AUSNET SERVICES' MINIMUM SYSTEM TECHNICAL REQUIREMENTS. REFER TO AUSNET SERVICES' WEBSITE.

**MULTIPHASE METERING DIAGRAM – AUSNET SERVICES ALTERNATIVE SUPPLY NET CONVERSION  
ONE EXISTING CUSTOMER WITH MULTIPLE APPROVED OFF-PEAK LOAD CONTROLS**

**DIRECT CONNECTED METERING**

REFERENCE DRAWINGS						REVISION				 DRAWN J.LI ENDORSED REV A G.DAVIDSON ENDORSED DATE 11-11-2015 ISSUED 11/11/2015	<b>AUSNET SERVICES AMI METERING ALTERNATIVE SUPPLY NET CONVERSION 1 CUST WITH/WITHOUT MULTIPLE OFF-PEAK LOADS CONTROL MULTIPHASE METERING WIRING DIAGRAM</b>							
	DRAWING TITLE	DRAWING No.	DATE	REV	DESCRIPTION	BY	CONTRACTOR	SPEC No.	ORDER No.	AusNet services No	EVX14/30000/6/7 A							

# WIRING DIAGRAM MULTIPHASE USING MULTIPHASE AMI METER TO CONTROL MULTIPLE OFF PEAK LOADS



- NOTES:
1. METER PANEL FUSES ARE NOT REQUIRED FOR AN OVERHEAD SUPPLY.
  2. METERING NEUTRAL TO BE BLACK 4mm<sup>2</sup> OR 6mm<sup>2</sup> STRANDED CABLE.
  3. FOR TWO PHASE SUPPLY, OMIT CENTRE PHASE.
  4. CONNECTION TO L1 METER TERMINAL SHALL BE BY 1 x 4mm<sup>2</sup> OR 1 x 6mm<sup>2</sup> STRANDED CABLE.
  5. FOR REMOTE MAIN SWITCHBOARD, REFER TO WIRING RULES FOR CABLE LIMITATIONS.
  6. CONTROLLED OFF PEAK LOAD MUST BE BALANCED ACROSS THE AVAILABLE METERED PHASES.
  7. REFER TO THE WIRING RULES FOR LABELING OF SWITCH AND CONNECTION ARRANGEMENTS.

MULTIPHASE METERING DIAGRAM – AUSNET SERVICES ALTERNATIVE SUPPLY NET CONVERSION  
ONE EXISTING CUSTOMER WITH MULTIPLE APPROVED OFF-PEAK LOAD CONTROLS

DIRECT CONNECTED METERING

REFERENCE DRAWINGS										AUSNET SERVICES AMI METERING 1 CUST WITH MULTIPLE OFF-PEAK LOADS CONTROL MULTIPHASE METERING WIRING DIAGRAM
DRAWING TITLE	DRAWING No.	DATE	REV	DESCRIPTION	BY	CONTRACTOR	ISSUED	SPEC No.	ORDER No.	AusNet services No.
		13.7.15	A	FIRST ISSUE.	JYL	AusNet	11-11-2015			EVX14/30000/6/8